



YZH5252GJBHW

Concrete Truck Mixer



| | |
|--|-------------------------|
| Chassis Model | ZZ1257N4048W |
| Emission Stage | CHINA III |
| Engine rated Power | 247kW |
| Drum loading capacity | 12 m³ |
| Drum remnant ratio of discharging | ≤0.5% |
| Hydraulic pump | American SAUER |
| Hydraulic motor | American SAUER |
| Speed reducer | American SAUER |

YZH5252GJBHW

Concrete Truck Mixer



CHASSIS

| | |
|------------------------|--------------------|
| Chassis Model | ZZ1257N4048W |
| Emission Stage | CHINA III |
| Engine Power | 247KW |
| Engine Displacement | 9.726 L |
| Driving Type | 6x4 |
| Wheelbase | 4025+1350 mm |
| Max. Running Speed | 86 km/h |
| Min. Turning Radius | 21 m |
| Brake type | Air pressure drive |
| Truck loading capacity | 10000 kg |

| | |
|---------------------|--------------|
| Drum rotating speed | 0-18 (r/min) |
| Drum tilt angle | 11° |

HYDRAULIC SYSTEM

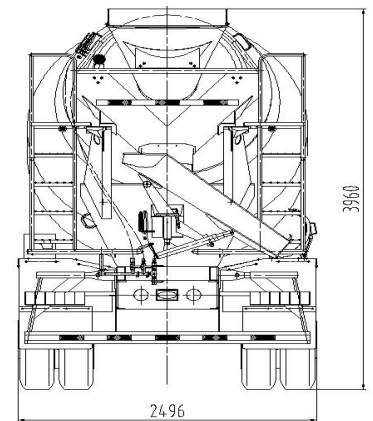
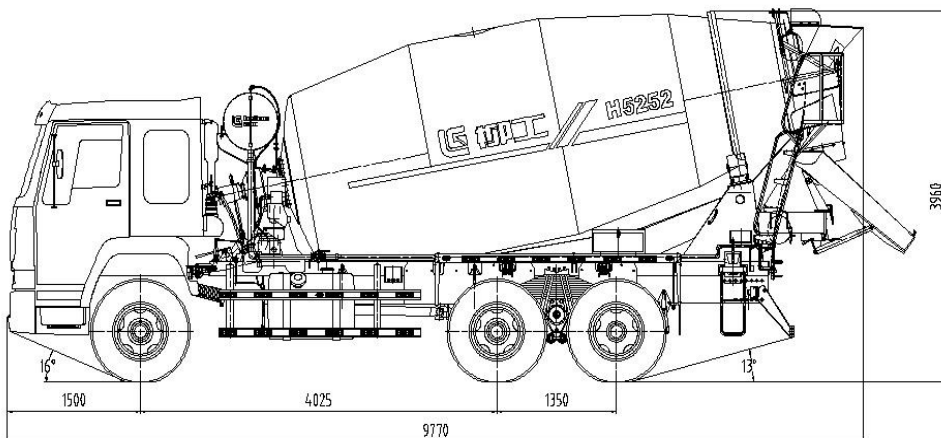
| | |
|-------------------------|--------------------|
| Hydraulic pump | American SAUER |
| Hydraulic motor | American SAUER |
| Speed reducer | American SAUER |
| Hydraulic circuit type | Closed loop |
| Hydraulic tank capacity | 20 L |
| Water tank capacity | 450 L |
| Water supply type | Air pressure drive |

DRUM

| | |
|-----------------------------------|---------------------------|
| Drum material | Baosteel B520JJ |
| Drum volume | 18.9 m ³ |
| Drum loading capacity | 12 m ³ |
| Drum agitating volume | 4.4 m ³ |
| Material charge speed | ≥ 3 m ³ /min |
| Material discharge speed | ≥ 2.7 m ³ /min |
| Material discharge control | Manual |
| Drum remnant ratio of discharging | ≤0.5 |

DIMENSIONS&WEIGHT

| | |
|--------------------|----------|
| Overall Length | 9770 mm |
| Overall Width | 2496 mm |
| Overall Height | 3960 mm |
| Truck gross Weight | 25000 kg |
| Truck net weight | 14870 kg |



Guangxi Liugong Machinery Co., Ltd.

No. 1 Liutai Road, Liuzhou, Guangxi 545007, PR China

T: +86 772 388 6124 E: overseas@liugong.com

www.liugong.com

Specifications and designs are subject to change without notice. Machines shown may include optional equipment.